

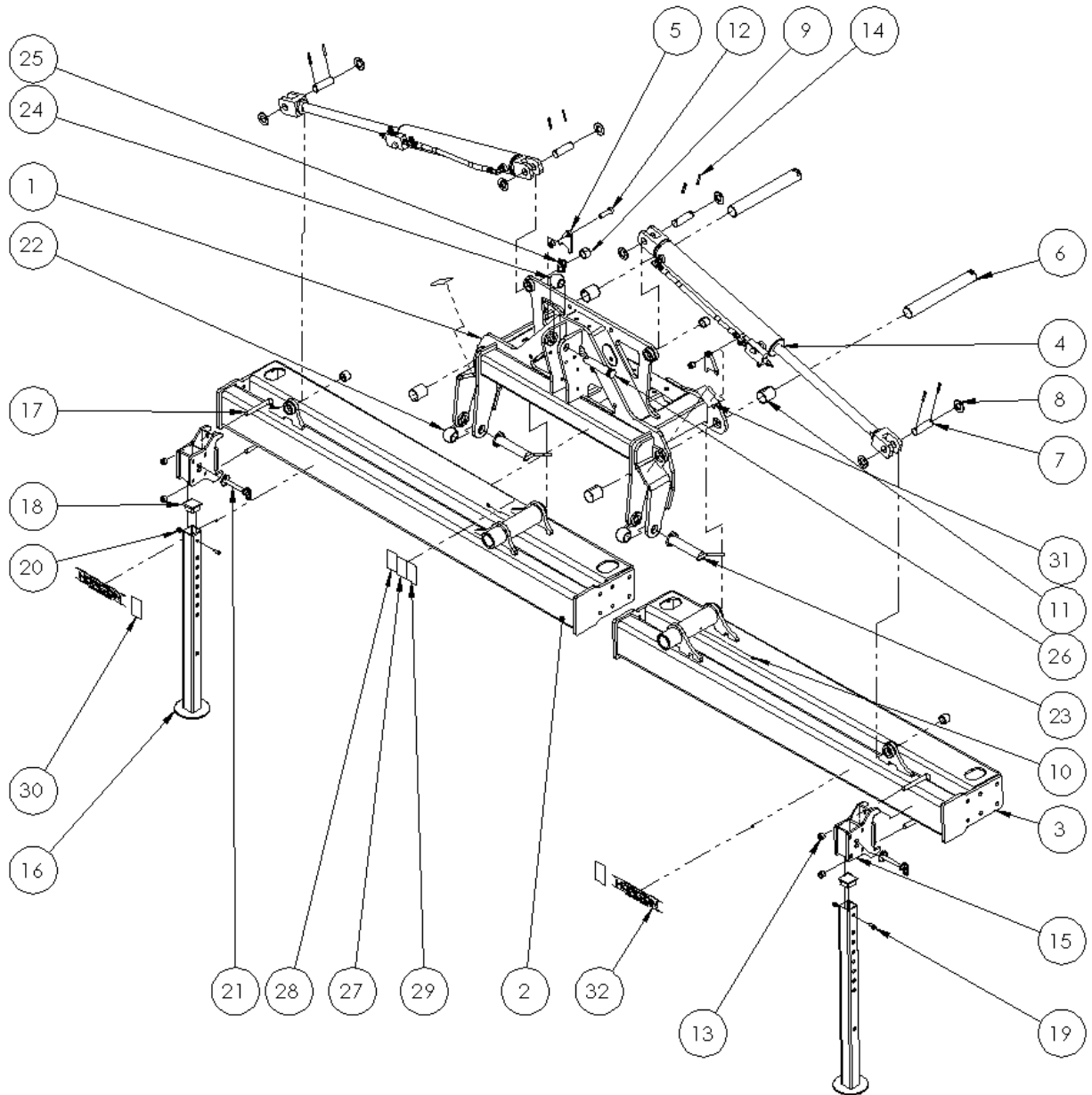
# PPX

## FOLDING PRECISION PLANTER SPARE PART LIST



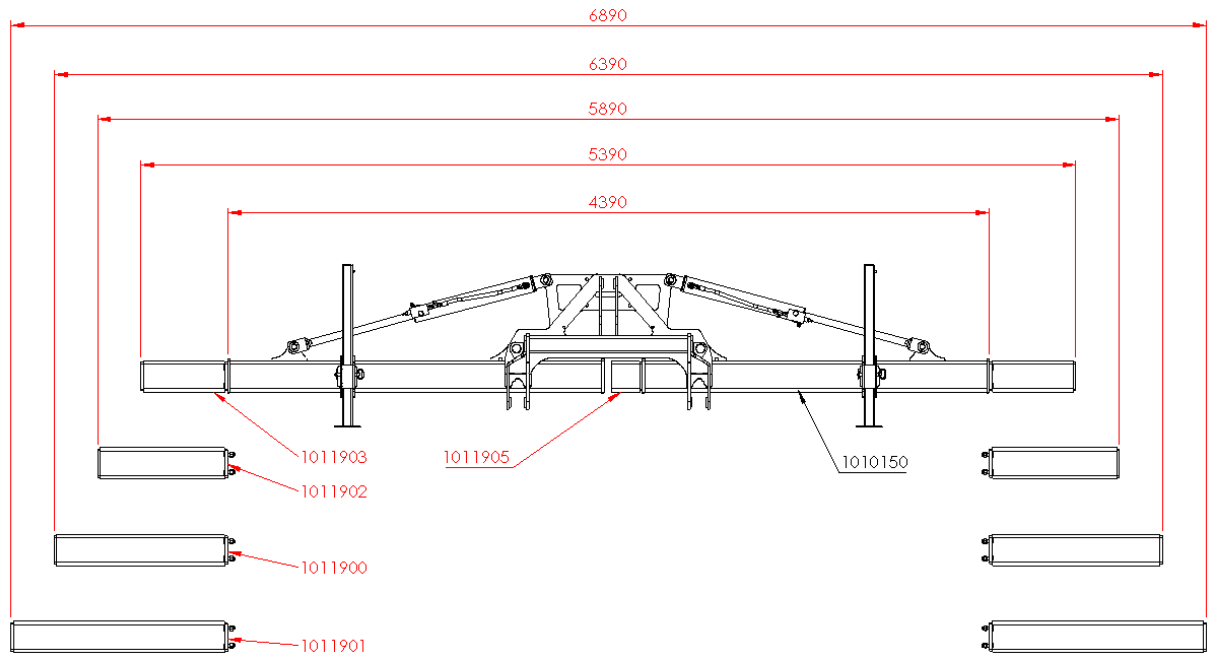
# SUMMARY

1010150	CHASSIS ASSEMBLY	3
1015012	WING EXTENSION ASSEMBLY	5
	ROW CONFIGURATION	6
1013188	WING WEIGHT ASSEMBLY	7
	WEIGHT TABLE	8
1015257	DISTRIBUTION SUPPORT ASSEMBLY	9
1015000	DISTRIBUTION HEAD ASSEMBLY	10
1010243	HYDRAULIC CYLINDER ASSEMBLY Ø40/80 S600	11
1012412	HOSE GUIDE ASSEMBLY	12
1010509	GAUGE WHEEL RH	13
1010510	GAUGE WHEEL LH	14
1014552	ACCESSORIES KIT	15
1015254	ROW UNIT LOCKING KIT	17
	WARNING STICKERS	18



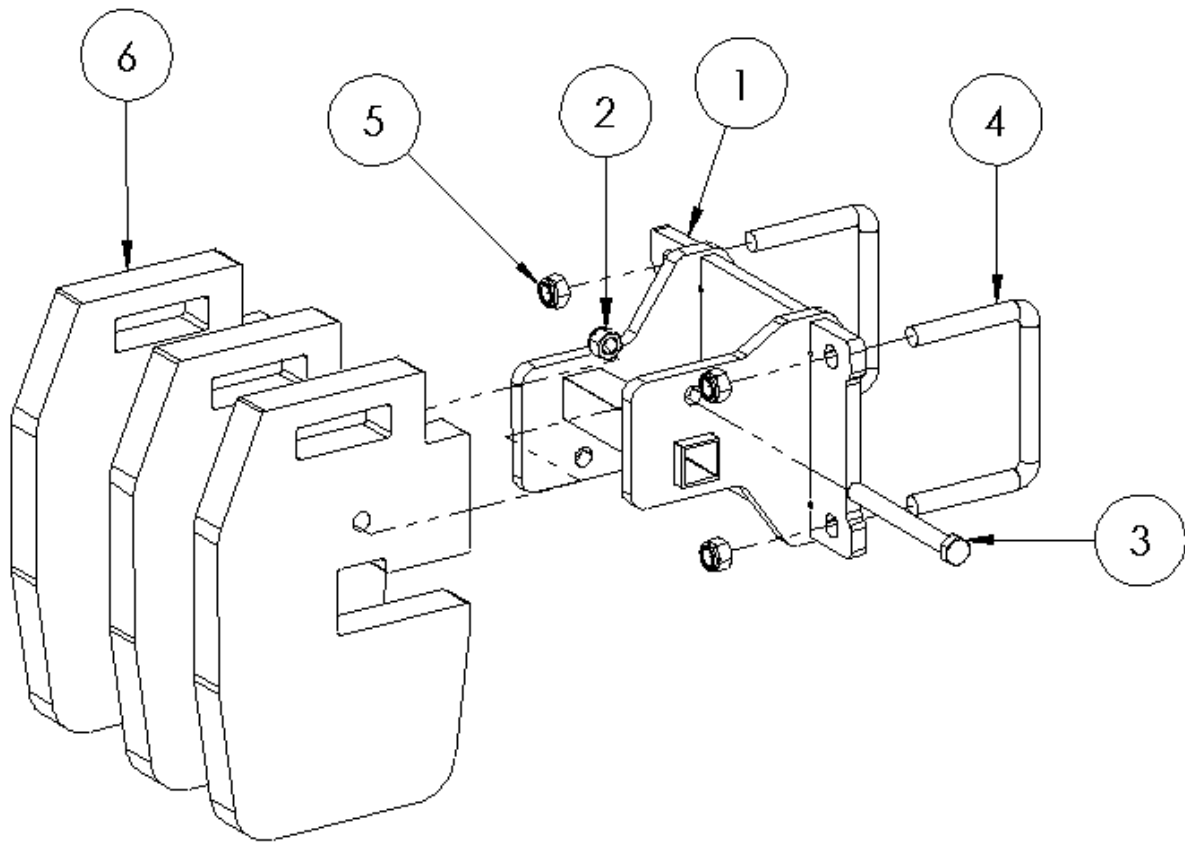
1010150	CHASSIS ASSEMBLY	EN	10/2020
---------	------------------	----	---------

ITEM NO.	PART NUMBER	DESCRIPTION	QTY
1	1010125	CENTRAL FRAME	1
2	1010127	WING RH	1
3	1010126	WING LH	1
4	1010243	HYDRAULIC CYLINDER ASSEMBLY Ø40/80 S600	2
5	1010124	FIXATION PLATE PIN Ø50mm	2
6	1010123	PIN Ø50 L375/395	2
7	1010122	PIN Ø30 L80/100	4
8	1011443	WASHER M30 ZN	8
9	1010146	EXPANSION BUSH Ø30/38-30	4
10	1010147	GREASE NIPPLE STRAIGHT M8x1 ZN	2
11	1010149	CYLINDRICAL BUSJING Ø50/55-60mm	4
12	1011105	HEX BOLT M16x60 8.8 ZN	2
13	1011233	HEX LOCK NUT M16 ZN	2
14	1011502	ROLL PIN Ø8x50	8
15	1010252	STAND MOUNT	2
16	1010255	STAND	2
17	1010045	U-BOLT 180x100 M16	2
18	1010236	PLUG FOR TUBE 60x60mm PLASTIC	2
19	1011653	CAP SCREW M10x20 8.8 ZN	2
20	1011227	HEX LOCK NUT M10 ZN	2
21	1010260	PIN Ø16x112mm	2
22	1014393	LOWER LINK BALL CAT.3	2
23	1012406	PIN WITH HANDLE 37x175mm	2
24	1012405	TOP LINK BALL CAT.3	1
25	1010519	LYNCHPIN Ø12x55	1
26	1012407	PIN 32x125mm CAT 3	1
27	1012257	OPERATORS MANUAL WARNING STICKER	1
28	1012260	HYDRAULIC LEAK WARNING STICKER	1
29	1012261	OVERHEAD LINES WARNING STICKER	1
30	1012262	UNFOLDING PARTS WARNING STICKER	2
31	1012264	CRASH RISK AREA WARNING STICKER	2
32	1012411	HORIZON AGRICULTURE STICKER WHITE GREE 300x80mm	2



ITEM NO.	PART NUMBER	DESCRIPTION	QTY
1	1010150	FRAME ASSEMBLY	1
2	1011905	WING EXTESION L175mm ASSEMBLY	1
3	1011901	WING EXTESION L1250mm ASSEMBLY	2
4	1011900	WING EXTESION L1000mm ASSEMBLY	2
5	1011902	WING EXTESION L750mm ASSEMBLY	2
6	1011903	WING EXTESION L500mm ASSEMBLY	2

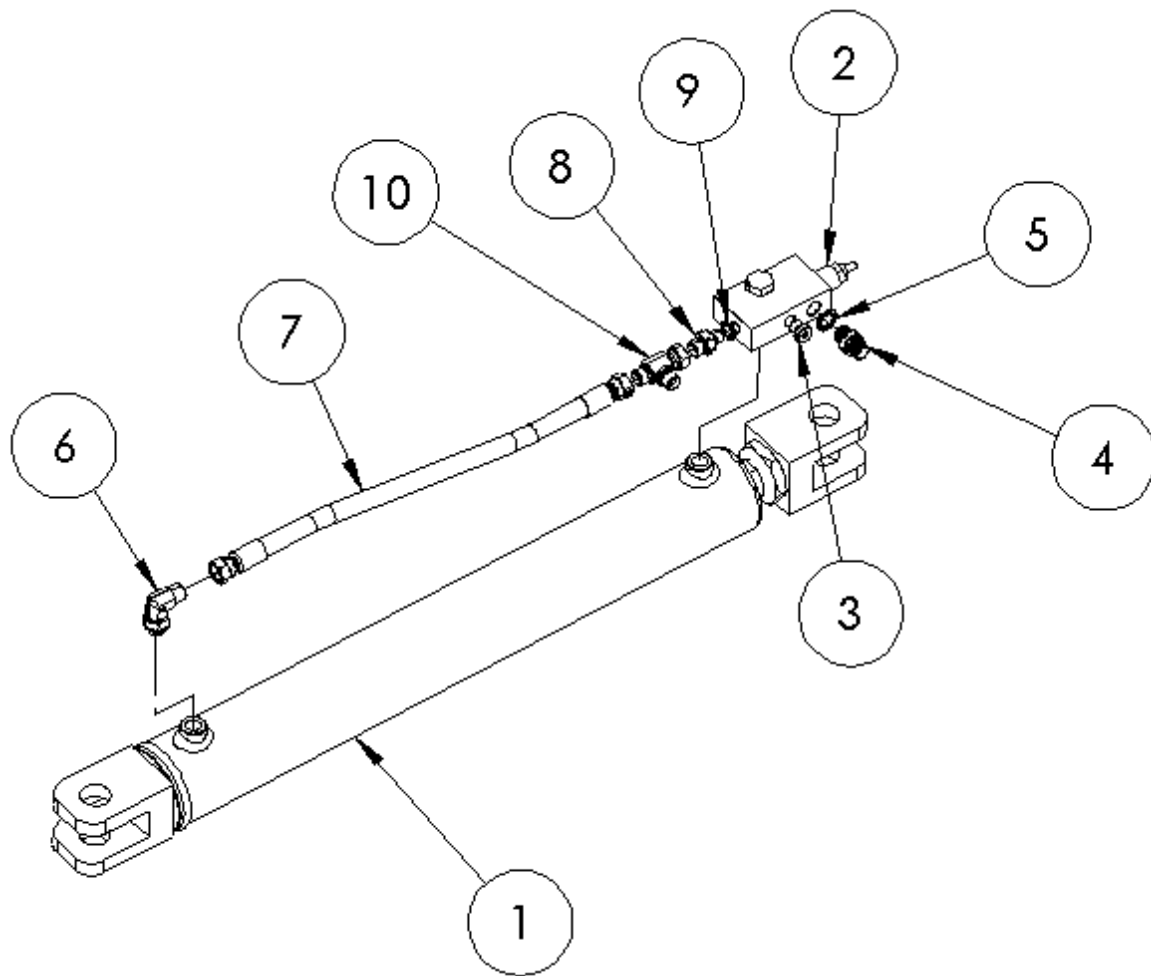
MODEL	NUMBER OF ROW	ROW SPACING (mm)	WING EXTENSION					STRAIGHT BOLT ASSEMBLY (1011971)
			L175mm (1011905)	L500mm (1011903)	L750mm (1011902)	L1000mm (1011900)	L1250mm (1011901)	
6R75	6	750	-	-	-	-	-	-
6R80	6	800	-	-	-	-	-	-
7R60	7	600	1	-	-	-	-	-
8R70	8	700	-	2	-	-	-	-
8R75	8	750	-	-	2	-	-	-
8R76.2	8	762	-	-	2	-	-	-
8R80	8	800	-	-	-	2	-	-
9R60	9	600	1	2	-	-	-	-
10R60	10	600	1	-	-	2	-	-
11R56	11	560	1	-	-	2	-	-
11R60	11	600	1	-	-	2	-	-
12R45	12	450	1	-	-	2	-	-
12R50	12	500	1	-	-	2	-	2
12R56	12	560	1	-	-	-	2	-



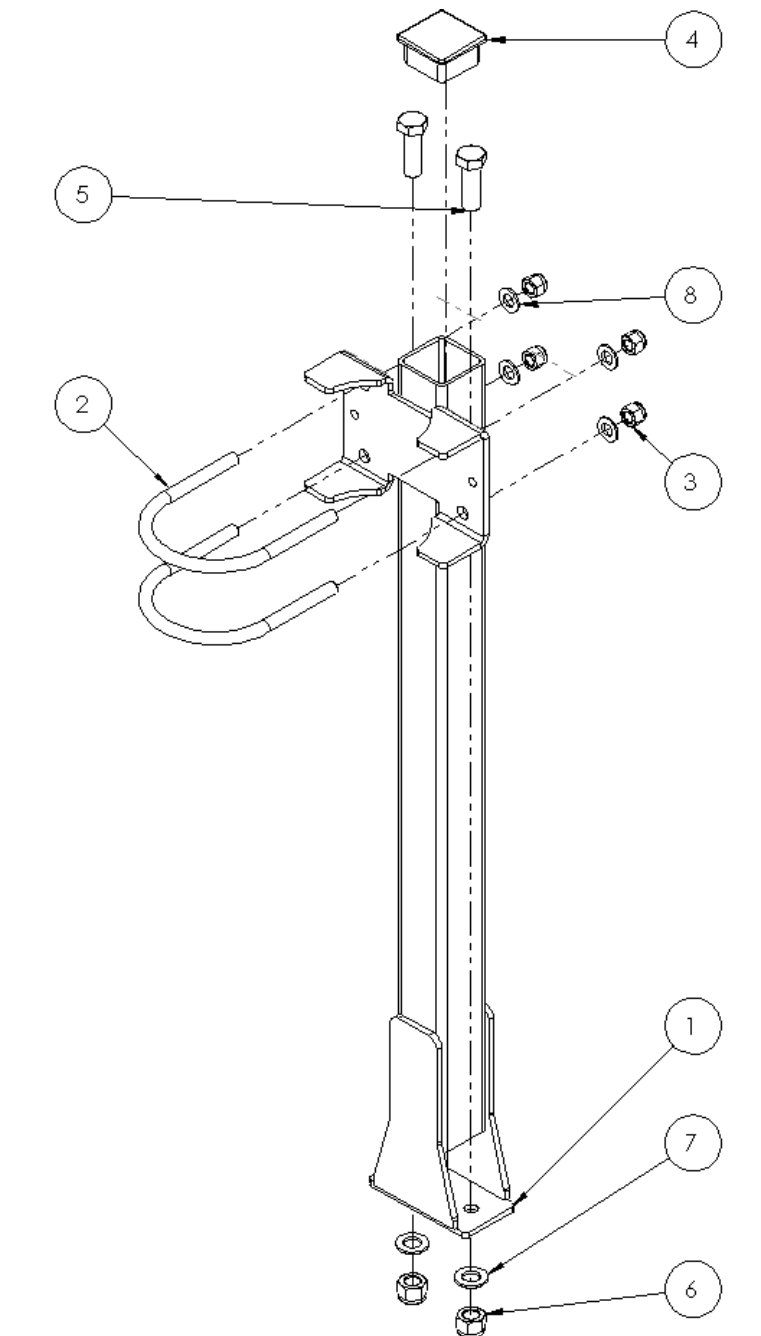
ITEM NO.	PART NUMBER	DESCRIPTION	QTY
1	1013187	WEIGHT HOLDER UNIT	1
2	1011235	HEX LOCK NUT M20 ZN	1
3	1011144	HEX BOLT M20x200 8.8 ZN	1
4	1010034	U-BOLT 180x100 M22	2
5	1010272	HEX LOCK NUT M22 ZN	4
6	1013180	WEIGHT 55kg	3

MODEL	NUMBER OF ROW	ROW SPACING (mm)	WEIGHT PER ROW (kg)		
			FRAME AND EXTENSIONS	GAUGE WHEELS	2 WING WEIGHTS
6R75	6	750	103	22	67
6R80	6	800	103	22	67
7R60	7	600	90	18	57
8R70	8	700	85	16	50
8R75	8	750	88	16	50
8R76.2	8	762	88	16	50
8R80	8	800	91	16	50
9R60	9	600	77	14	44
10R60	10	600	74	13	40
11R56	11	560	67	12	36
11R60	11	600	67	12	36
12R45	12	450	62	11	33
12R50	12	500	62	11	33
12R56	12	560	64	11	33

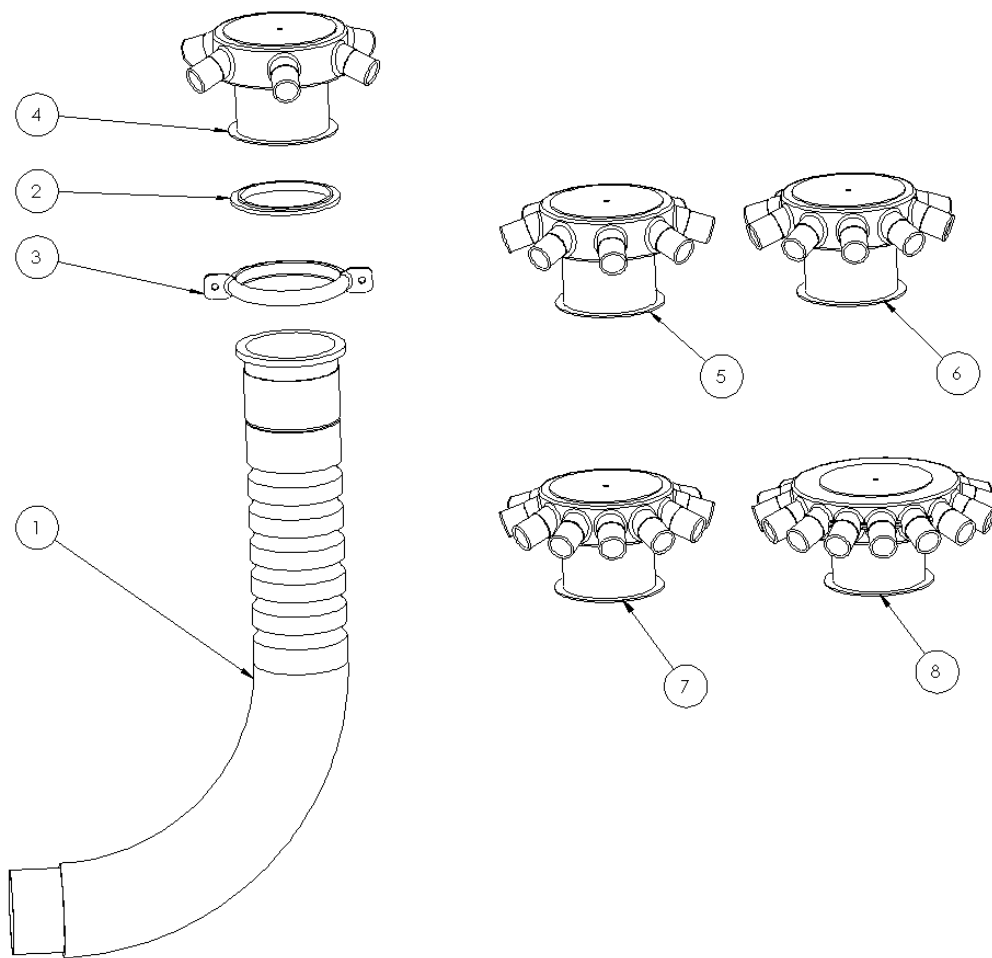




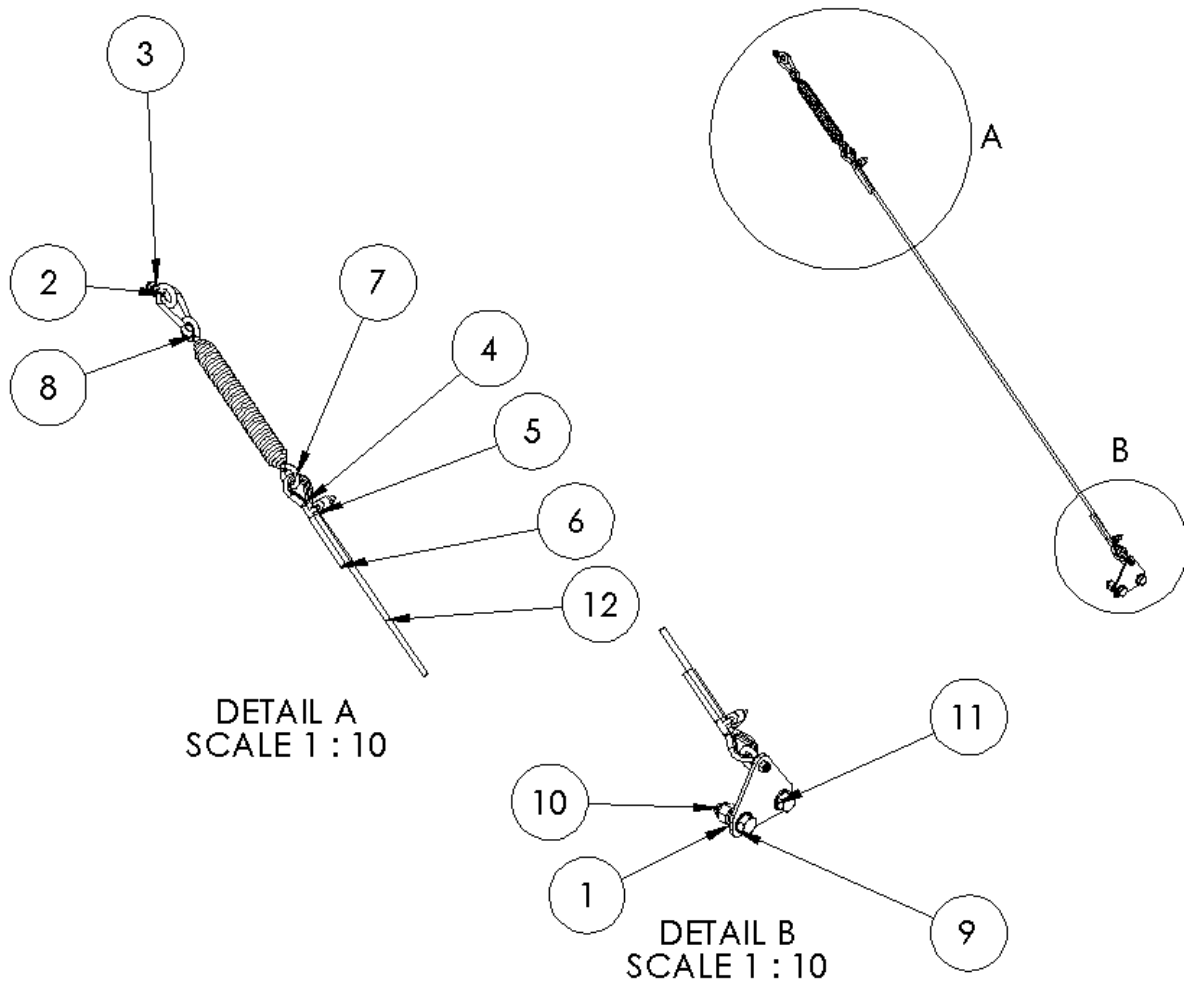
ITEM NO.	PART NUMBER	DESCRIPTION	QTY
1	1010073	HYDRAULIC CYLINDER Ø40/80 S600	1
2	1010558	OVERCENTER VALVE SINGLE ACTING 3/8" BSP	1
3	1010829	END PLUG ¼" BSP ZN	1
4	1012035	ADAPTOR M/M 3/8" BSP	1
5	1012018	3/8" DOWTY SEAL	1
6	1010935	ELBOW ADJUSTABLE M 3/8 BSP – M 3/8 BSP	1
7	1010937	HYDRAULIC HOSE 3/8 BSP F-3/8 BSP F L515	1
8	1010938	ADAPTOR M/M 1/4"/3/8" BSP	1
9	1010939	1/4" DOWTY SEAL	1
10	1012037	T M/M/F 3/8" BSP	1



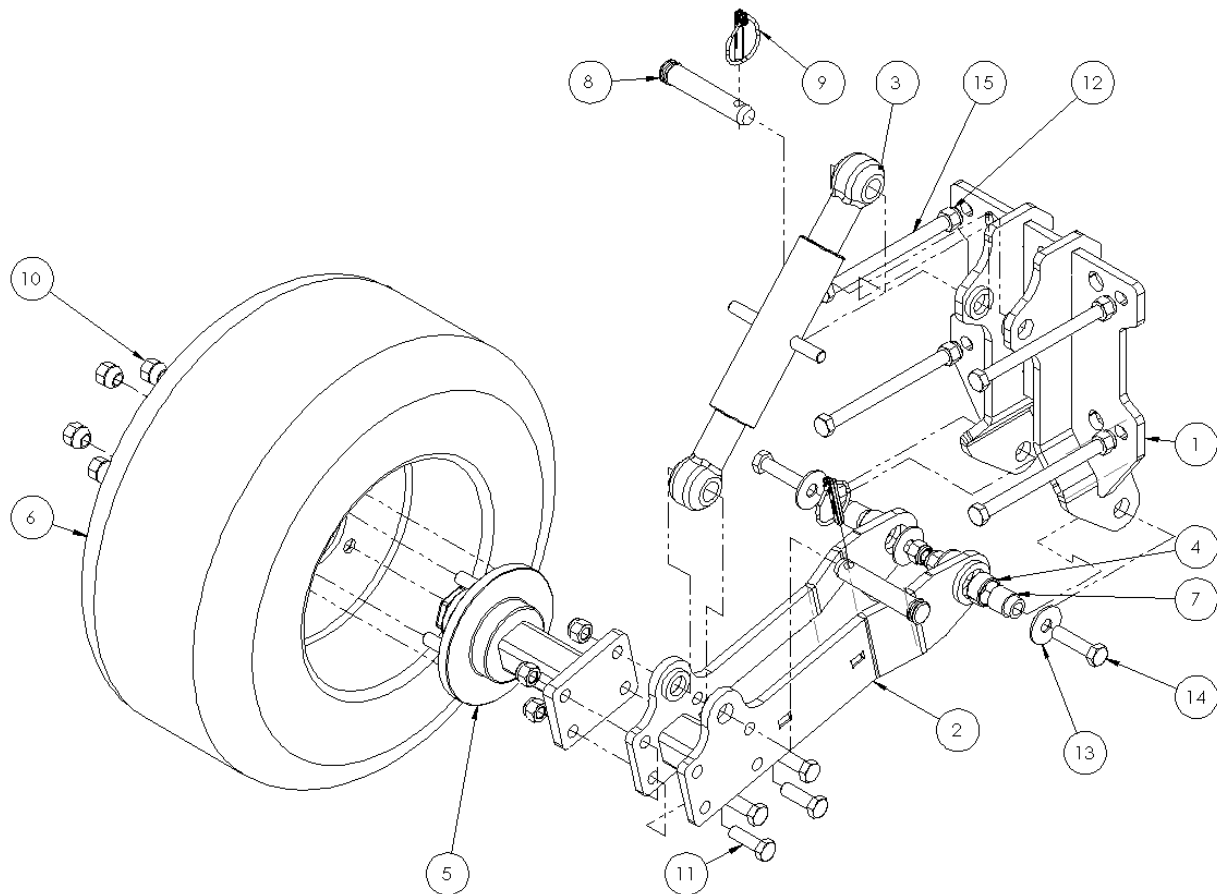
ITEM NO.	PART NUMBER	DESCRIPTION	QTY
1	1014620	DISTRIBUTION SUPPORT	1
2	1010054	U-BOLT Ø114 M12	2
3	1011229	HEX LOCK NUT M12 ZN	4
4	1010236	PLUG FOR TUBE 60x60mm PLASTIC	1
5	1011103	HEX BOLT M16x50 8.8 ZN	2
6	1011233	HEX LOCK NUT M16 ZN	2
7	1011439	WASHER M16 ZN	2
8	1011437	WASHER M12 ZN	4



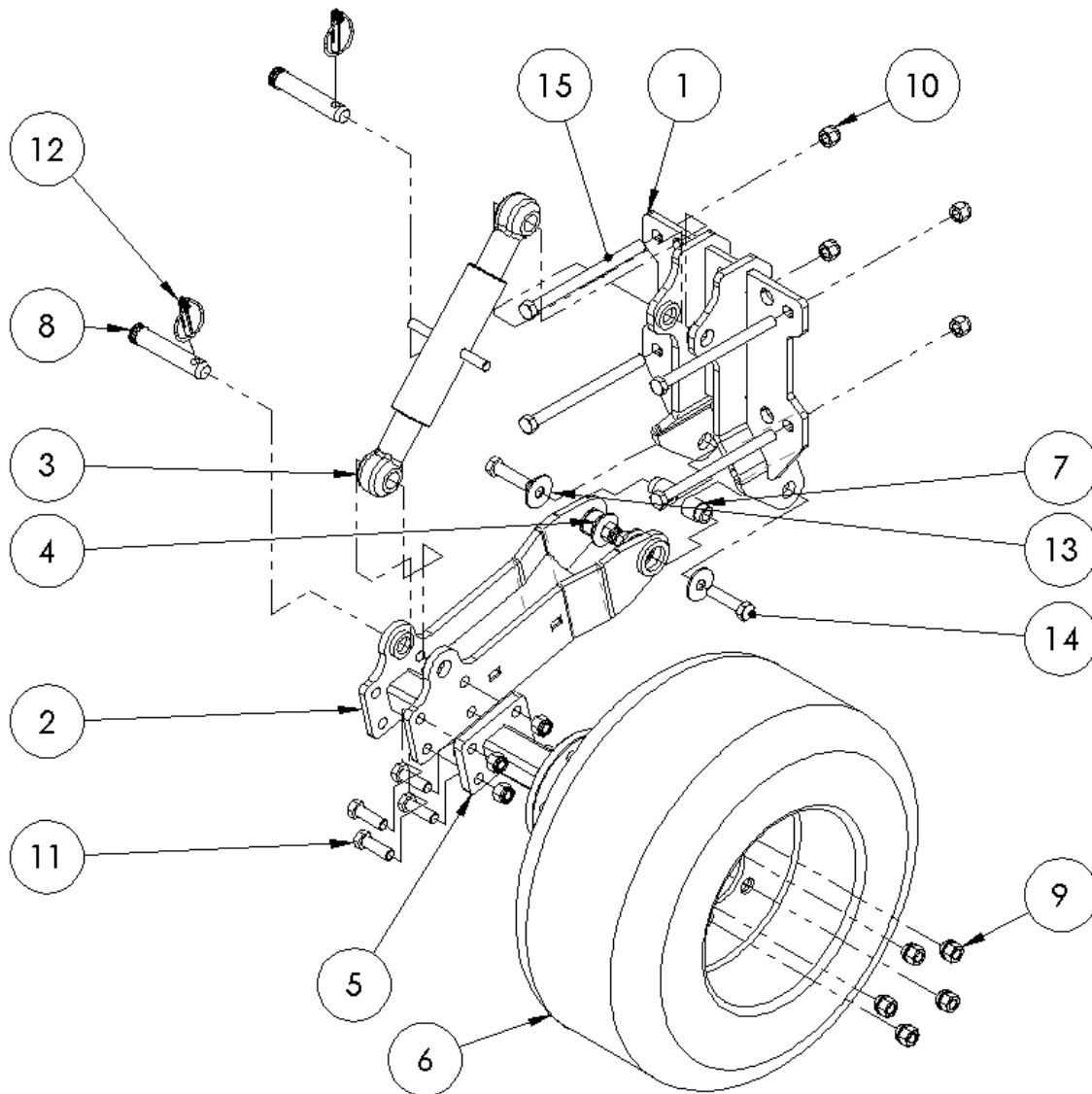
ITEM NO.	PART NUMBER	DESCRIPTION	QTY
1	1010405	DISTRIBTUION HEAD TUBE Ø100	1
2	1010459	SEAL PVC	1
3	1010465	CLAMP Ø130mm	1
4	1010933	DISTRIBUTION HEAD 6xØ32	1
5	1010406	DISTRIBUTION HEAD 8xØ32	1
6	1010460	DISTRIBUTION HEAD 10xØ32	1
7	1010461	DISTRIBUTION HEAD 12xØ32	1
8	1010462	DISTRIBUTION HEAD 16xØ32	1



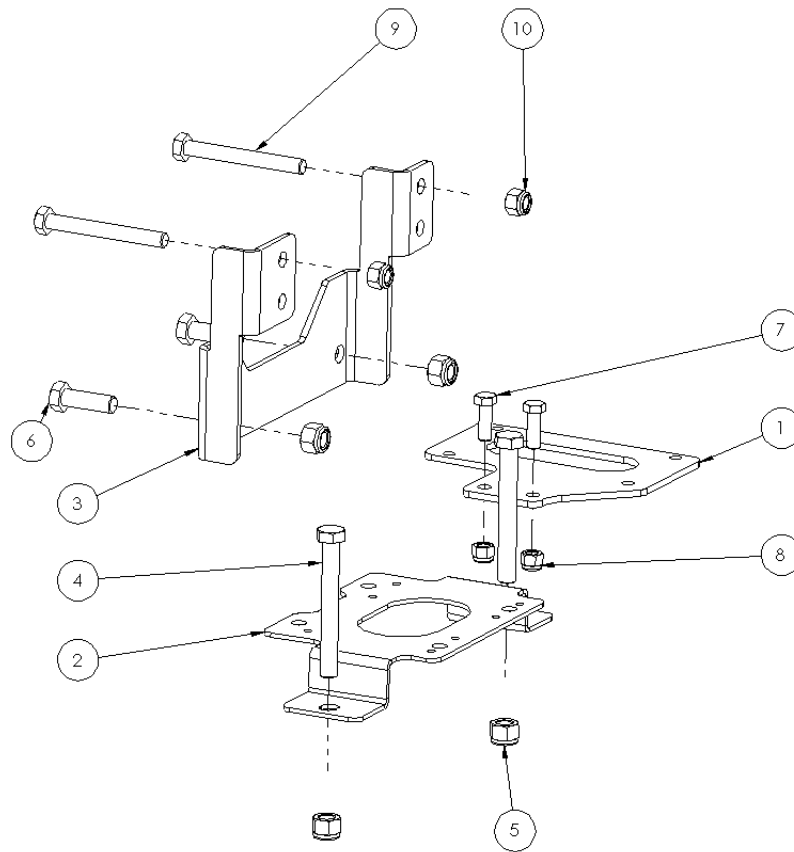
ITEM NO.	PART NUMBER	DESCRIPTION	QTY
1	1012376	CABLE SUPPORT PLATE	1
2	1011984	EYE BOLT M8 A2	2
3	1011194	HEX LOCK NUT M8 ZN	2
4	1010390	WIRE ROPE THIMBLE Ø8mm ZN	2
5	1010389	WIRE ROPE GRIP Ø8mm ZN	2
6	1010547	HEAT SHRINK TUBING	2
7	1010028	TENSION SPRING Ø30x5 L0=268mm	1
8	1013007	SNAP HOOK 80x8mm	1
9	1011439	WASHER M16 ZN	2
10	1011233	HEX LOCK NUT M16 ZN	2
11	1011103	HEX BOLT M16x50 8.8 ZN	2
12	1012409	STEEL CABLE 8mm	1



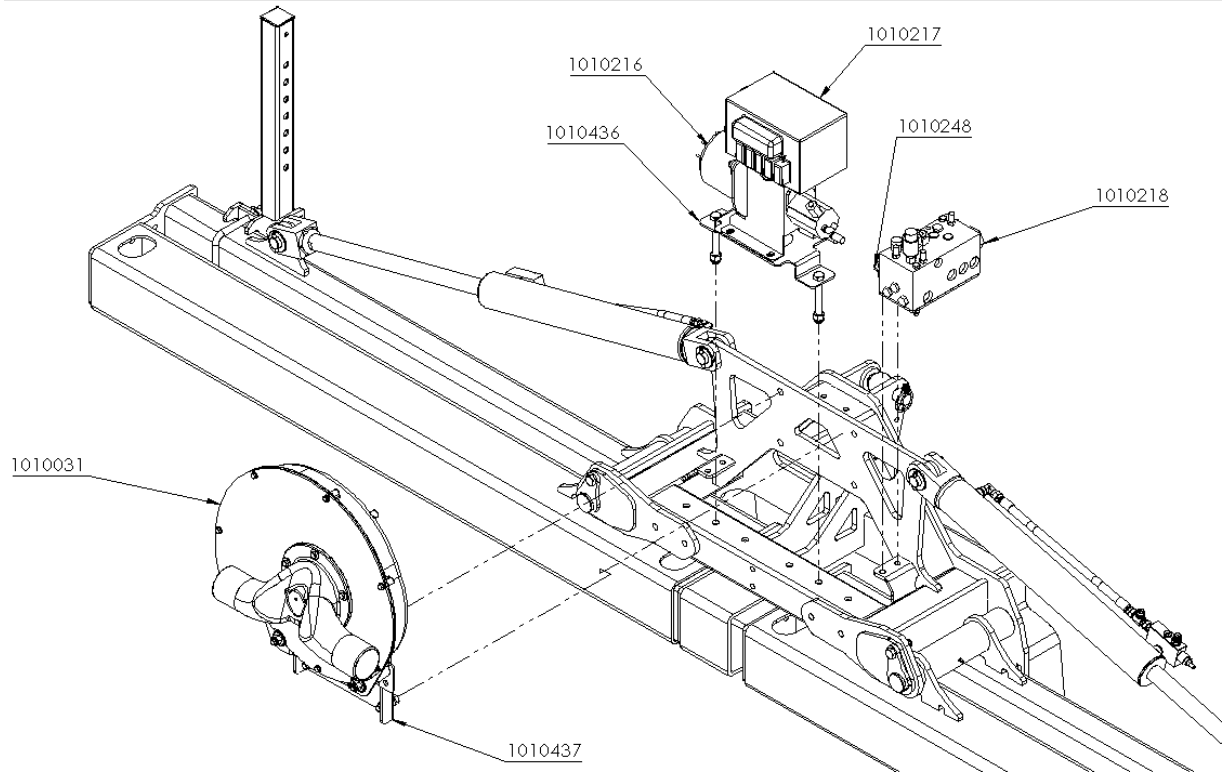
ITEM NO.	PART NUMBER	DESCRIPTION	QTY
1	1010226	MOUNTING BRACKET	1
2	1010506	SUPPORT GAUGE WHEEL	1
3	1010508	TOP LINK CAT.2 360-530mm	1
4	1010507	EXPANSION BUSH Ø30/38-20	2
5	1010501	STUB AXLE	1
6	1010511	WHEEL 23x10.5 12TR	1
7	1010513	BUSH Ø16.5/30x24/35	2
8	1010514	PIN Ø25x110mm ZN	2
9	1010519	LYNCHPIN Ø12x55	2
10	1010529	WHEEL NUT M16x1.5 ZN	5
11	1011350	HEX BOLT M16x50 8.8 ZN	4
12	1011233	HEX LOCK NUT M16 ZN	10
13	1011463	WASHER LARGE M16 ZN	4
14	1011106	HEX BOLT M16x65 8.8 ZN	2
15	1011124	HEX BOLT M16x220 8.8 ZN	4



ITEM NO.	PART NUMBER	DESCRIPTION	QTY
1	1010226	MOUNTING BRACKET	1
2	1010506	SUPPORT GAUGE WHEEL	1
3	1010508	TOP LINK CAT.2 360-530mm	1
4	1010507	EXPANSION BUSH Ø30/38-20	2
5	1010501	STUB AXLE	1
6	1010511	WHEEL 23x10.5 12TR	1
7	1010513	BUSH Ø16.5/30x24/35	2
8	1010514	PIN Ø25x110mm ZN	2
9	1010529	WHEEL NUT M16x1.5 ZN	5
10	1011233	HEX LOCK NUT M16 ZN	10
11	1011350	HEX BOLT M16x50 8.8 ZN	4
12	1010519	LYNCHPIN Ø12x55	2
13	1011463	WASHER LARGE M16 ZN	4
14	1011106	HEX BOLT M16x65 8.8 ZN	2
15	1011124	HEX BOLT M16x220 8.8 ZN	4

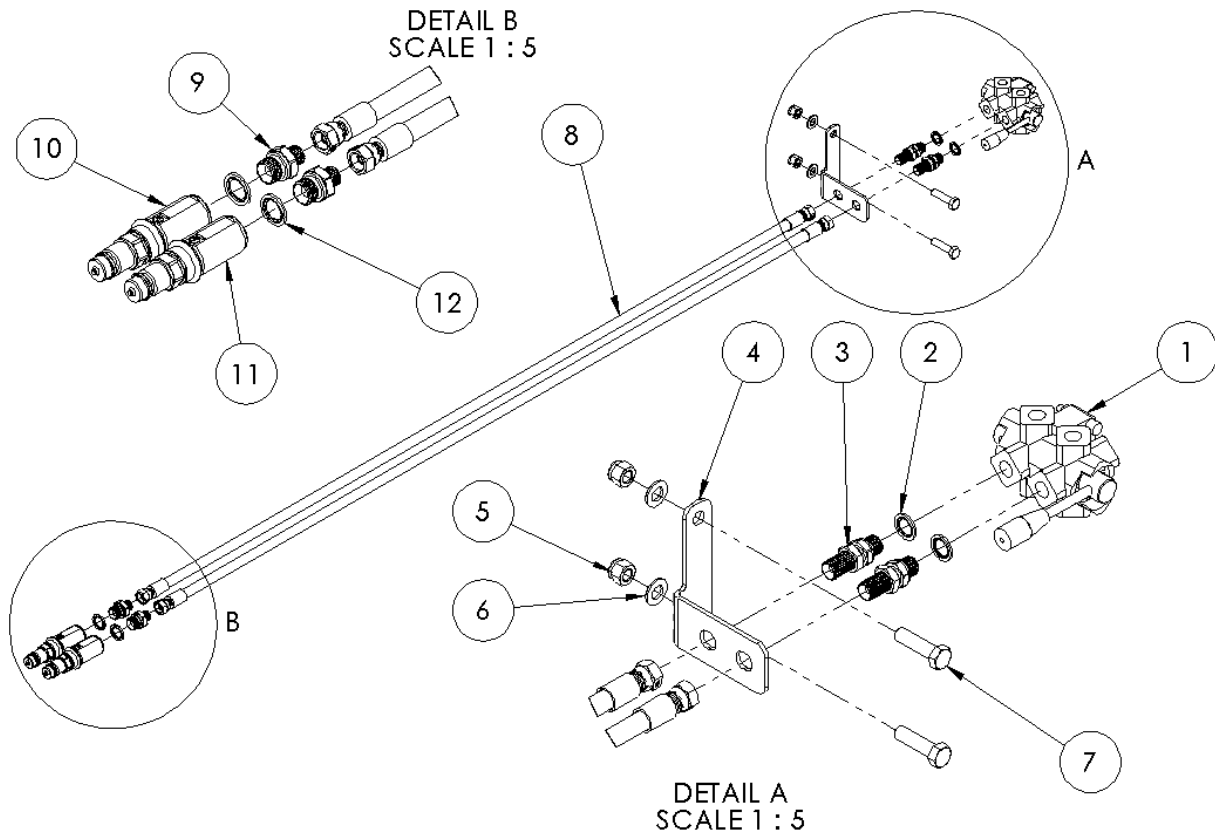


ITEM NO.	PART NUMBER	DESCRIPTION	QTY
1	1010248	HYDRAULIC BLOCK MOUNT	1
2	1010436	MOUNTING BRACKET PDM/ALTERNATOR	1
3	1010437	TURINE MOUNT	1
4	1011116	HEX BOLT M16x130 8.8 ZN	2
5	1011233	HEX LOCK NUT M16 ZN	4
6	1011350	HEX BOLT M16x50 8.8 ZN	2
7	1011541	HEX BOLT M12x35 8.8 ZN	2
8	1011229	HEX LOCK NUT M12 ZN	2
9	1014553	HEX BOLT M14x120 8.8 ZN	2
10	1011231	HEX LOCK NUT M14 ZN	2








ITEM NO.	PART NUMBER	DESCRIPTION	QTY
1	1010031	TURBINE	1
2	1010437	TURBINE MOUNT	1
3	1010436	MOUNTING BRACKER PDM/ALTERNATOR	1
4	1010216	ALTERNATOR	1
5	1010217	PDM	1
6	1010248	HYDRAULIC BLOCK MOUNT	1
7	1010218	HYDRAULIC BLOCK	1





ITEM NO.	PART NUMBER	DESCRIPTION	QTY
1	1014644	DIVERTER VALVE 6 WAY 3/8" BSP	1
2	1012018	3/8" DOWTY SEAL	2
3	1012036	BULKHEAD FITTING 3/8" BSP	2
4	1014220	BALL VALVE MOUNT	1
5	1011229	HEX LOCK NUT M12 ZN	2
6	1011437	WASHER M12 ZN	2
7	1011077	HEX BOLT M12x45 8.8 ZN	2
8	1015255	LOCKING KIT HOSE	2
9	1012034	ADAPTOR M/M 3/8" / 1/2" BSP	2
10	1014456	COUPLER RED + BG3	1
11	1014457	COUPLER RED - BG3	1
12	1012019	1/2" DOWTY SEAL	2

ITEM NO.	PART NUMBER	DESCRIPTION		QTY
1	1012257	Operators Manual warning		1
2	1012260	Hydraulic Leak Warning		1
3	1012261	Overhead Lines Warning Sticker		1
4	1012262	Unfolding Parts Warning Sticker		2
5	1012264	Crush Risk Warning Sticker		2