

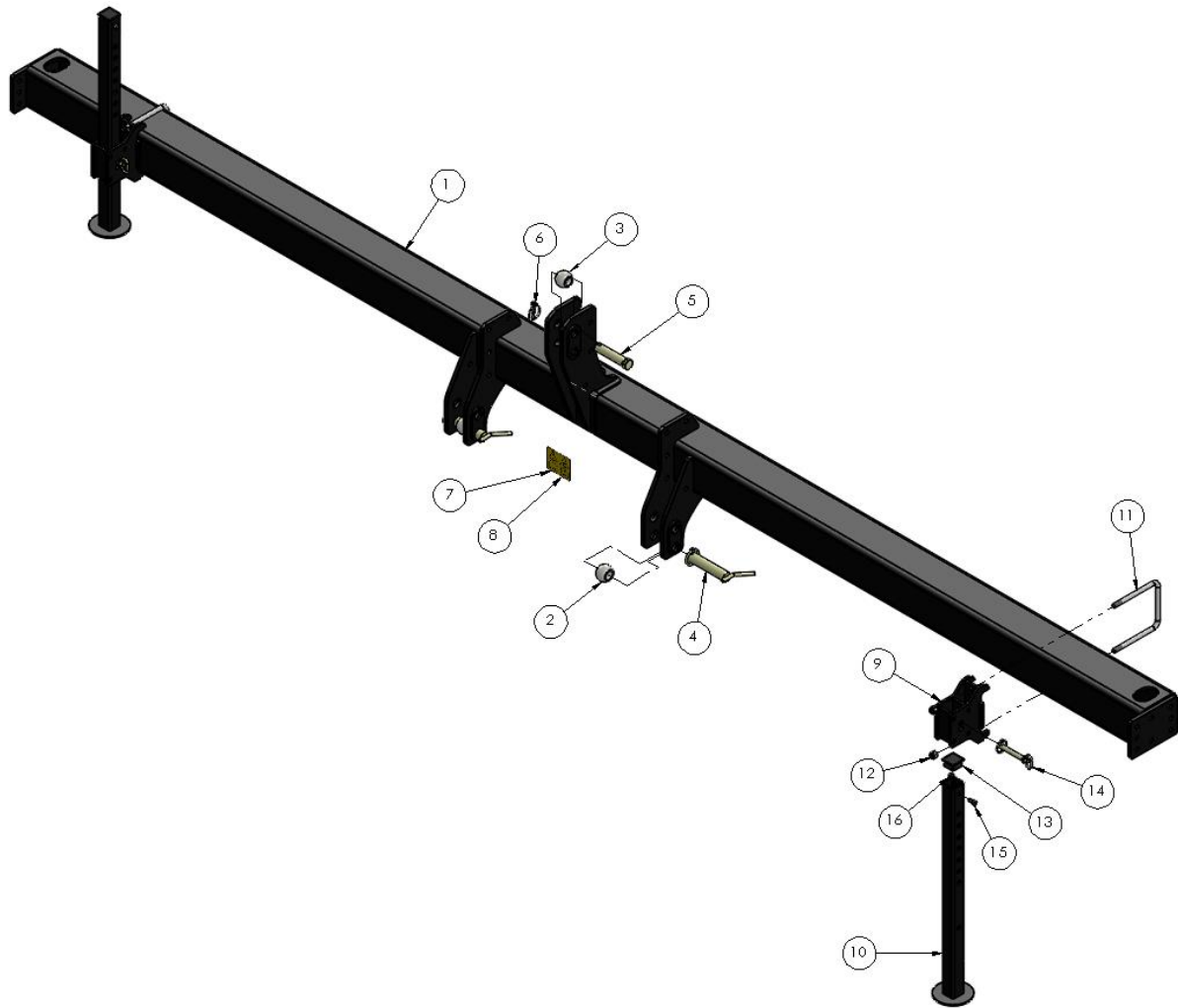
PPX

RIGID PRECISION PLANTER (6M) SPARE PART LIST

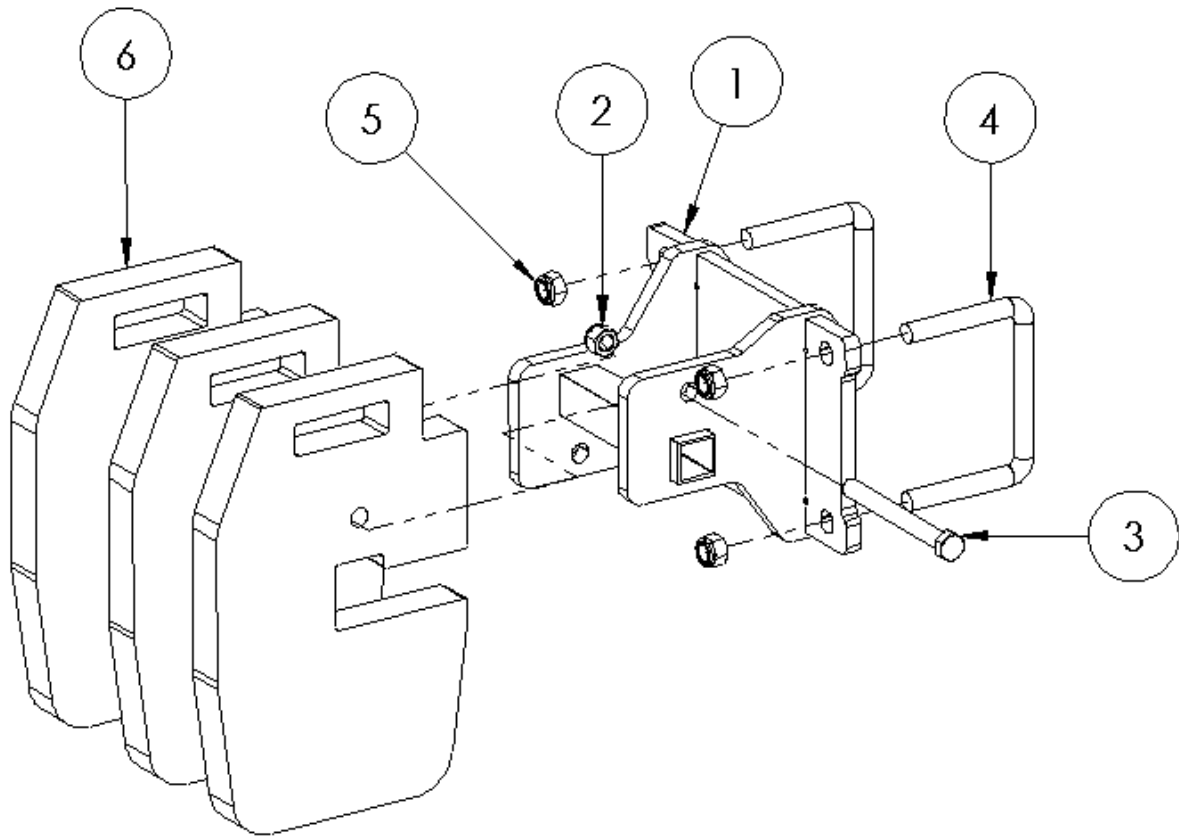


CONTENTS

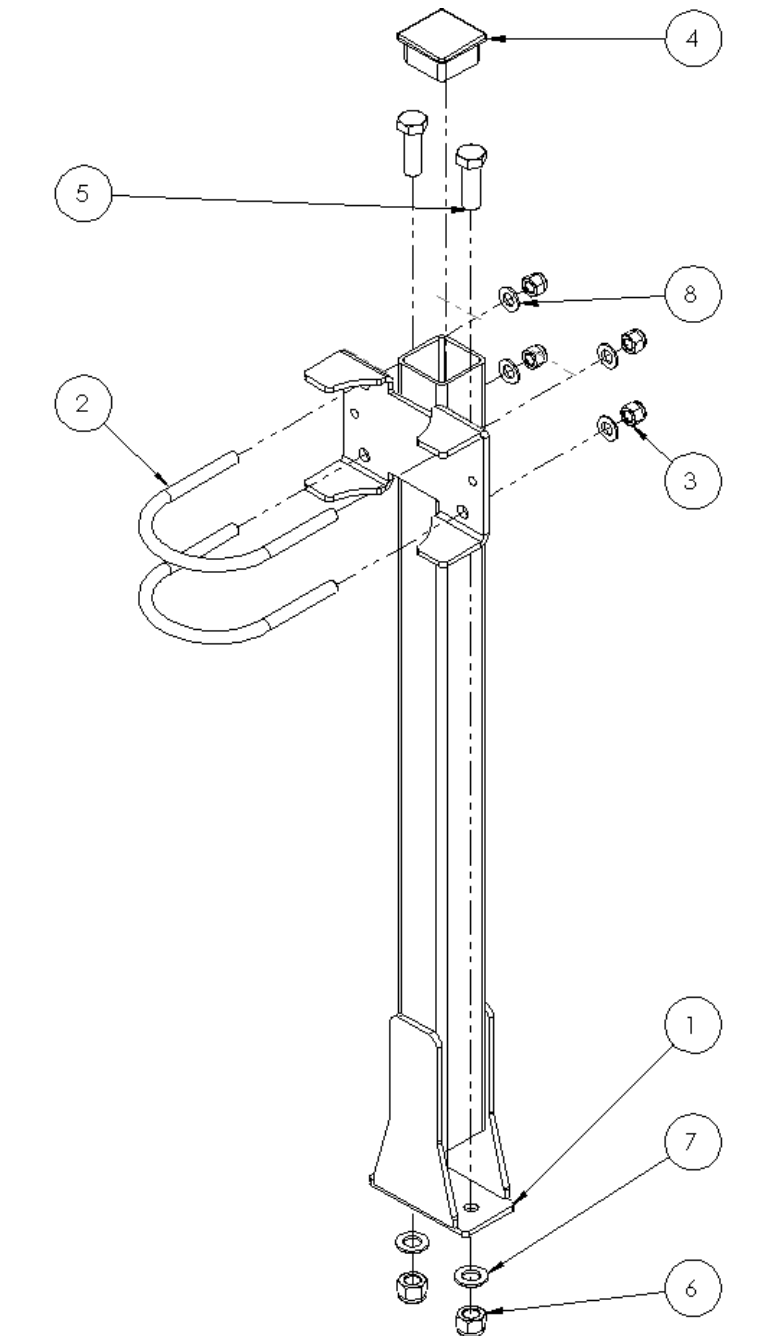
1016430 – CHASSIS ASSEMBLY 3
1013188 – WING WEIGHT ASSEMBLY 4
1015257 – DISTRIBUTION SUPPORT ASSEMBLY 5
1015000 – DISTRIBUTION HEAD ASSEMBLY 6
1012412 – HOSE GUIDE ASSEMBLY 7
1010509 – GAUGE WHEEL RH..... 8
1010510 – GAUGE WHEEL LH 9
1017004 – ACCESSORIES KIT 10
STICKERS..... 11



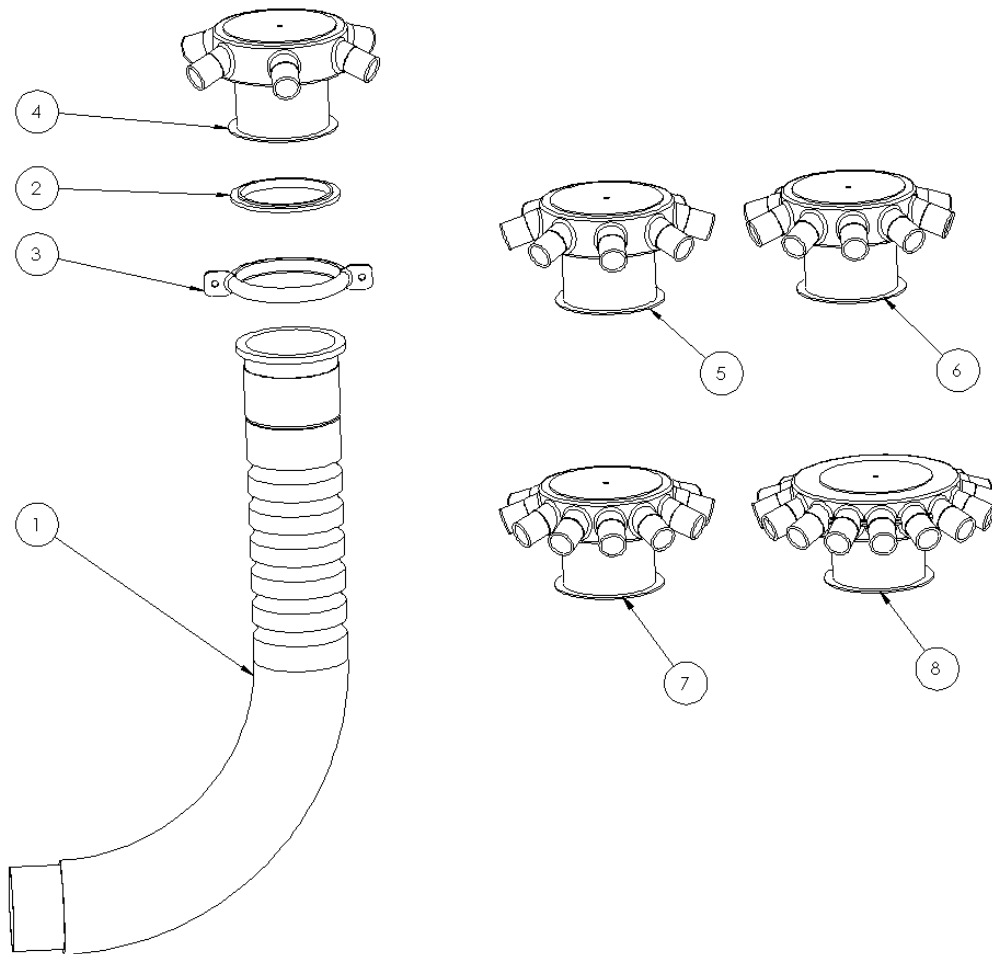
ITEM NO.	PART NUMBER	DESCRIPTION	QTY
1	1016410	RIGID FRAME 5.7m	1
2	1014393	LOWR LINK BALL CAT.3	2
3	1012405	TOP LINK BALL CAT.3	1
4	1012406	PIN WITH HANDLE 37x175mm	2
5	1012407	PIN 32x125mm CAT 3	1
6	1010519	LYNCHPIN Ø12x55	1
7	1012257	OPERATORS MANUAL WARNING STICKER	1
8	1012260	HYDRAULIC LEAK WARNING STICKER	1
9	1010252	STAND MOUNT	2
10	1010255	STAND	2
11	1010494	U-BOLT 180x180 M16	2
12	1011233	HEX LOCK NUT M16 ZN	4
13	1010236	PLUG FOR TUBE 60x60mm PLASTIC	2
14	1010260	PIN Ø16x112mm	2
15	1011653	CAP SCREW M10x20 8.8 ZN	2
16	1011227	HEX LOCK NUT M10 ZN	2



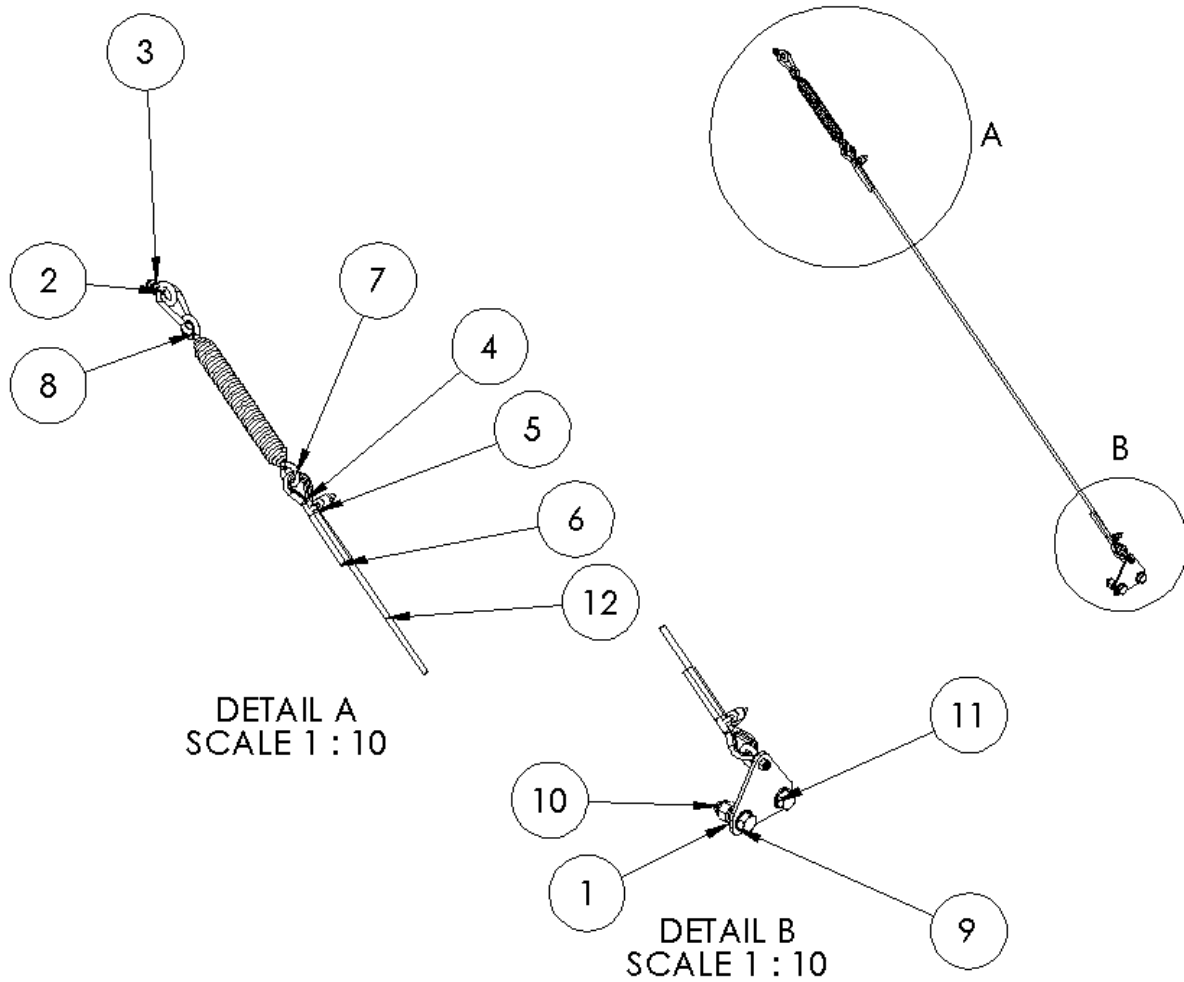
ITEM NO.	PART NUMBER	DESCRIPTION	QTY
1	1013187	WEIGHT HOLDER UNIT	1
2	1011235	HEX LOCK NUT M20 ZN	1
3	1011144	HEX BOLT M20x200 8.8 ZN	1
4	1010034	U-BOLT 180x100 M22	2
5	1010272	HEX LOCK NUT M22 ZN	4
6	1013180	WEIGHT 55kg	3



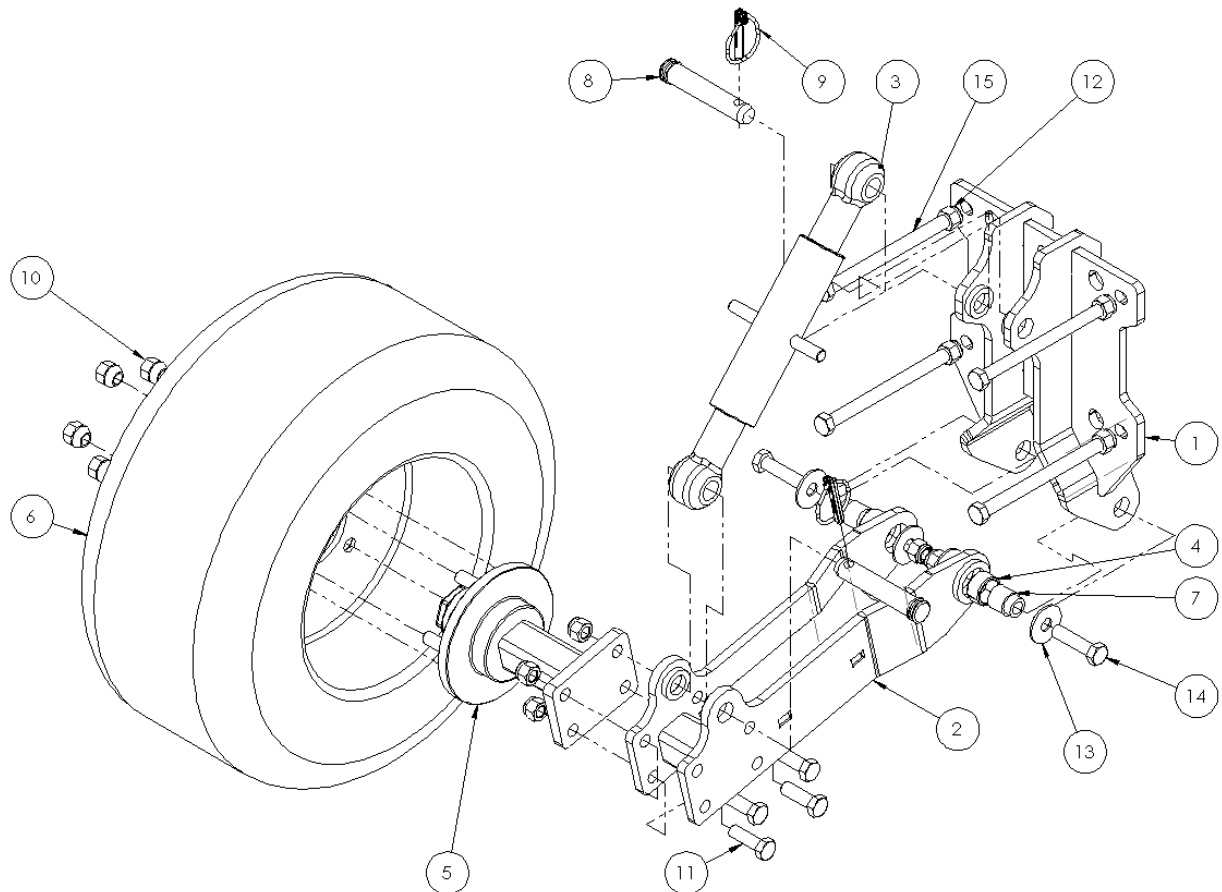
ITEM NO.	PART NUMBER	DESCRIPTION	QTY
1	1014620	DISTRIBUTION SUPPORT	1
2	1010054	U-BOLT Ø114 M12	2
3	1011229	HEX LOCK NUT M12 ZN	4
4	1010236	PLUG FOR TUBE 60x60mm PLASTIC	1
5	1011103	HEX BOLT M16x50 8.8 ZN	2
6	1011233	HEX LOCK NUT M16 ZN	2
7	1011439	WASHER M16 ZN	2
8	1011437	WASHER M12 ZN	4



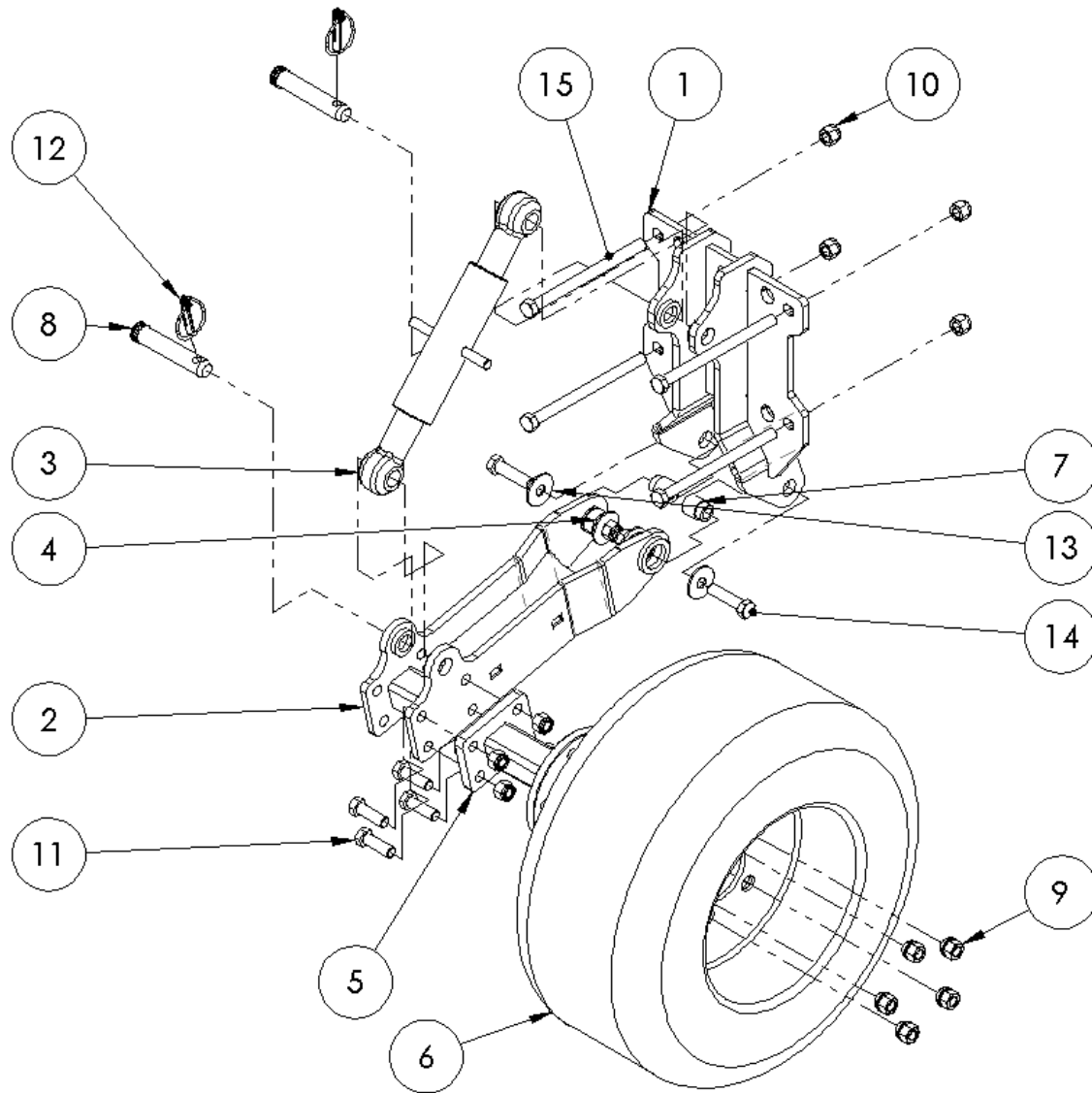
ITEM NO.	PART NUMBER	DESCRIPTION	QTY
1	1010405	DISTRIBTUION HEAD TUBE Ø100	1
2	1010459	SEAL PVC	1
3	1010465	CLAMP Ø130mm	1
4	1010933	DISTRIBUTION HEAD 6xØ32	1
5	1010406	DISTRIBUTION HEAD 8xØ32	1
6	1010460	DISTRIBUTION HEAD 10xØ32	1
7	1010461	DISTRIBUTION HEAD 12xØ32	1
8	1010462	DISTRIBUTION HEAD 16xØ32	1



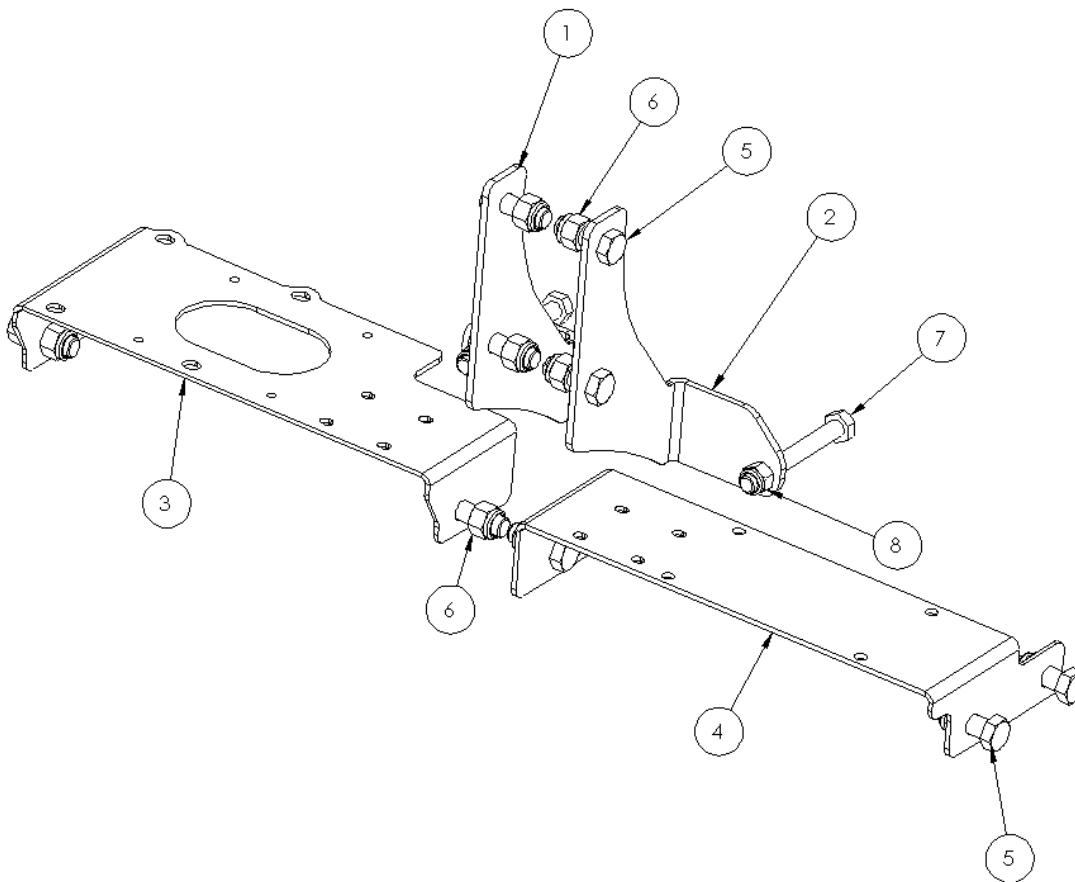
ITEM NO.	PART NUMBER	DESCRIPTION	QTY
1	1012376	CABLE SUPPORT PLATE	1
2	1011984	EYE BOLT M8 A2	2
3	1011194	HEX LOCK NUT M8 ZN	2
4	1010390	WIRE ROPE THIMBLE \varnothing 8mm ZN	2
5	1010389	WIRE ROPE GRIP \varnothing 8mm ZN	2
6	1010547	HEAT SHRINK TUBING	2
7	1010028	TENSION SPRING \varnothing 30x5 L0=268mm	1
8	1013007	SNAP HOOK 80x8mm	1
9	1011439	WASHER M16 ZN	2
10	1011233	HEX LOCK NUT M16 ZN	2
11	1011103	HEX BOLT M16x50 8.8 ZN	2
12	1012409	STEEL CABLE 8mm	1



ITEM NO.	PART NUMBER	DESCRIPTION	QTY
1	1010226	MOUNTING BRACKET	1
2	1010506	SUPPORT GAUGE WHEEL	1
3	1010508	TOP LINK CAT.2 360-530mm	1
4	1010507	EXPANSION BUSH Ø30/38-20	2
5	1010501	STUB AXLE	1
6	1010511	WHEEL 23x10.5 12TR	1
7	1010513	BUSH Ø16.5/30x24/35	2
8	1010514	PIN Ø25x110mm ZN	2
9	1010519	LYNCHPIN Ø12x55	2
10	1010529	WHEEL NUT M16x1.5 ZN	5
11	1011350	HEX BOLT M16x50 8.8 ZN	4
12	1011233	HEX LOCK NUT M16 ZN	10
13	1011463	WASHER LARGE M16 ZN	4
14	1011106	HEX BOLT M16x65 8.8 ZN	2
15	1011124	HEX BOLT M16x220 8.8 ZN	4








ITEM NO.	PART NUMBER	DESCRIPTION	QTY
1	1010226	MOUNTING BRACKET	1
2	1010506	SUPPORT GAUGE WHEEL	1
3	1010508	TOP LINK CAT.2 360-530mm	1
4	1010507	EXPANSION BUSH \varnothing 30/38-20	2
5	1010501	STUB AXLE	1
6	1010511	WHEEL 23x10.5 12TR	1
7	1010513	BUSH \varnothing 16.5/30x24/35	2
8	1010514	PIN \varnothing 25x110mm ZN	2
9	1010529	WHEEL NUT M16x1.5 ZN	5
10	1011233	HEX LOCK NUT M16 ZN	10
11	1011350	HEX BOLT M16x50 8.8 ZN	4
12	1010519	LYNCHPIN \varnothing 12x55	2
13	1011463	WASHER LARGE M16 ZN	4
14	1011106	HEX BOLT M16x65 8.8 ZN	2
15	1011124	HEX BOLT M16x220 8.8 ZN	4



ITEM NO.	PART NUMBER	DESCRIPTION	QTY
1	1014626	MOUNTING PLATE RH	1
2	1014625	MOUNTING PLATE LH	1
3	1017002	PDM MOUNT	1
4	1017003	HYDRAULIC BLOCK MOUNT	1
5	1011966	HEX BOLT M16x45 8.8 ZN	10
6	1011233	HEX LOCK NUT M16 ZN	10
7	1014553	HEX BOLT M14x120 8.8 ZN	2
8	1011231	HEX LOCK NUT M14 ZN	2

WARNING STICKERS

ITEM NO.	PART NUMBER	DESCRIPTION		QTY
1	1012257	Operators Manual warning		1
2	1012260	Hydraulic Leak Warning		1
3	1012261	Overhead Lines Warning Sticker		0
4	1012262	Unfolding Parts Warning Sticker		0
5	1012264	Crush Risk Warning Sticker		0